

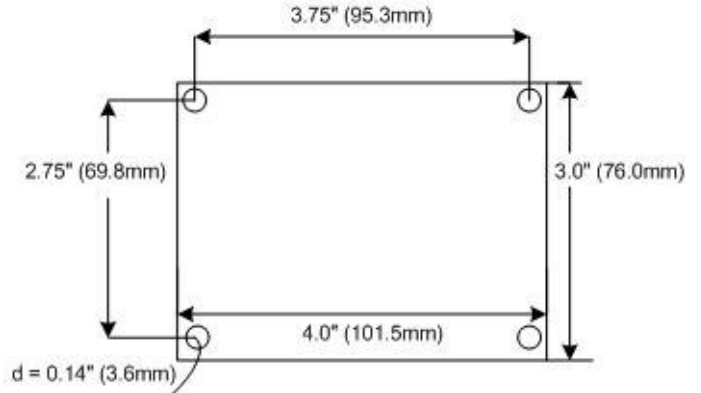
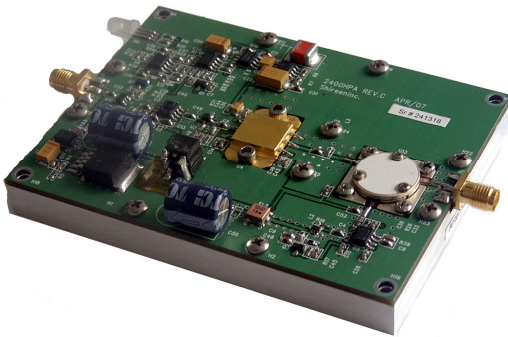


2.4GHz 10 Watt Amplifier OEM Module

Designed for use as an add-on module with existing wireless radio equipment where high power is required. A 10Watt amplifier with high Tx gain (33dB) and exceptionally linear performance, if used without AGC. The unit is also offered with Automatic Gain control (AGC). The AGC unit maintains full 10 watt output for all inputs between 7dBm and 20dBm. If linear output is required, the unit can be shipped without AGC.

Due to this higher RF output power, the unit is only offered for sale to Military, overseas or licensed customers.

The unit requires proper mounting on metal for heat sinking.



Item # 24603

Specifications

Electrical:

Operating Range	2400 - 2500 MHz
Operating Mode	TDD, Time Division duplex,
Transmit Power	40 dBm, 10 Watt
Transmit Gain	33 dB in Linear mode Varies with AGC
Transmit input Power	3dBm (min) to 23dBm (max)
Receive Gain	20 dB
Noise Figure	2.5 dB
LED indicators	Red for Receive (Default mode) Green for Transmit
Power Consumption	130mA Rx, 4.7A Tx @ 12 VDC
Operating Temp	-40 °C to + 65 °C
Dimension:	3.0" x 4.0"
Weight:	8.0 oz (with metal base plate)

Options:

RF Connectors	SMA female or soldered coax cable
DC Power	Over coax, using DC injector, or Direct feed via soldered wire