

DCA 50 Ω Series

0Hz – 40MHz DC Coupled Amplifier

Features

- 3-dB Bandwidth: 40MHz
- Gain: 23dB
- P_{1dB} : +14dBm
- IP3: +24dBm
- Input/Output: 50 Ω
- DC Power: 12V
- SMA Connector

Picture



Description

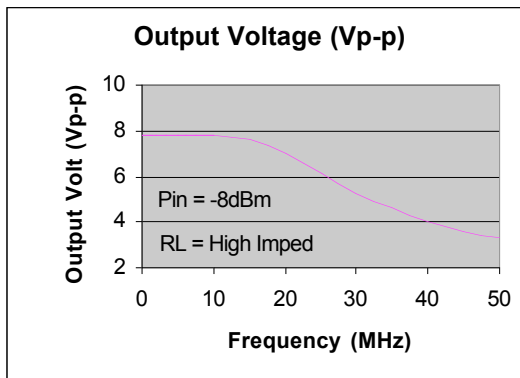
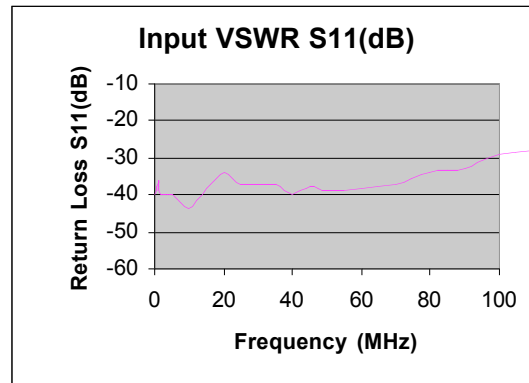
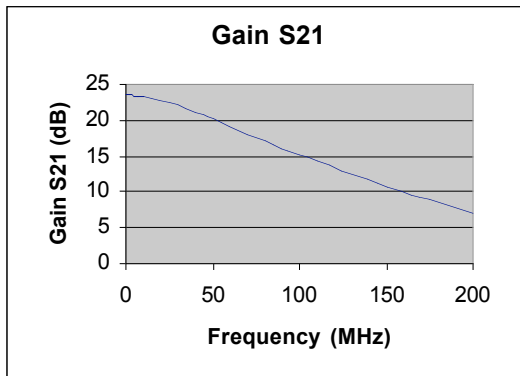
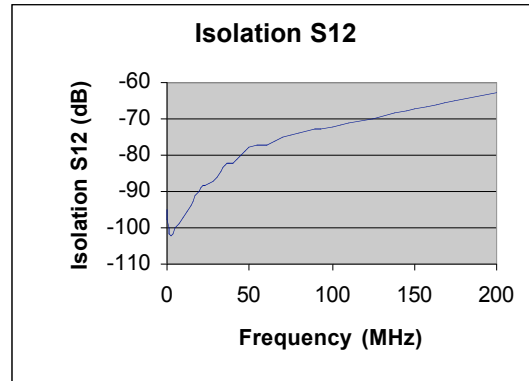
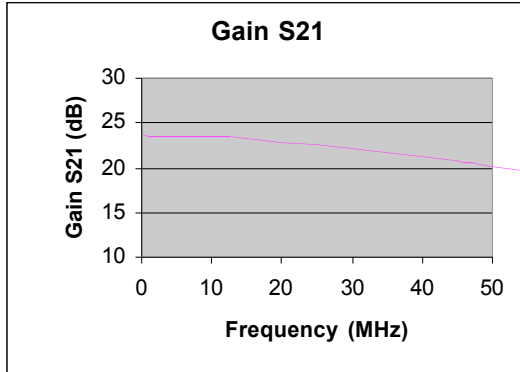
DCA-50-23 is a 50 Ω 23dB gain DC Coupled Amplifier operates with 3-dB bandwidth of 40MHz, designed for low frequency, small signal application.

Electrical Specifications @ +25 °C, Z_{in} , Z_{out} = 50 Ω

Parameter	Unit	Minimum	Typical	Maximum
Frequency Range (-3dB)	MHz	0		40
Power Gain $f = 0\text{Hz}$	dB		23.5	
$f = 1\text{MHz}$	dB		23	
$f = 40\text{MHz}$	dB	20	21	
Voltage Gain ($R_L = \infty$) $f = 0\text{ Hz}$			30	
P_{1dB} $f = 100\text{KHz}$	dBm		+14	
$f = 40\text{MHz}$	dBm		+14	
IP3 $f = 40\text{MHz}$	dBm		+24	
Input Voltage Noise	nV/ $\sqrt{\text{Hz}}$		0.92	
Output Voltage $f = 100\text{KHz}$ $R_L = \infty$	Vp-p		7.8	
Pin= -8dBm $f = 40\text{MHz}$ $R_L = \infty$	Vp-p		4.0	
VSWR $f = 300\text{KHz} - 40\text{MHz}$				
Input VSWR			1.10:1	
Output VSWR			1.15:1	
DC Power Supply	V	8	12	15
Supply Current	mA		45	



Typical Performance @ +25 °C



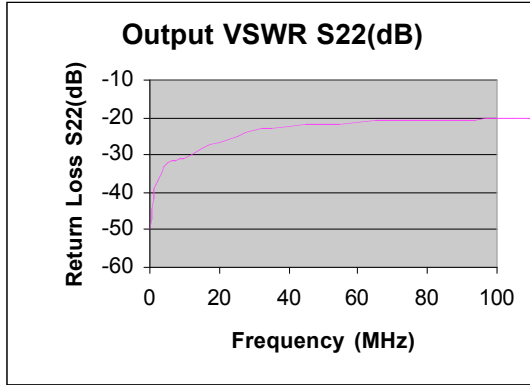


DCA-50-23

www.Shireeninc.com

DCA 50 Ω Series

0Hz – 40MHz DC Coupled Amplifier





DCA-50-23

www.Shireeninc.com

DCA 50 Ω Series

0Hz – 40MHz DC Coupled Amplifier

Absolute Maximum Ratings

Parameter	Absolute Maximum
RF Input Power	+13dBm
Input DC Voltage	$\pm 2V$
Supply Voltage	+16V
Operating Temperature	-40 °C to +85 °C
Storage Temperature	-55 °C to +125 °C

Outline

Error! Not a valid link.

	A	B	C	D	E	F	G	H	I	J
Inch	1.250	1.250	0.563	0.450	1.000	0.625	1.000	0.250	0.500	0.187
mm	31.75	31.75	14.29	11.43	25.40	15.88	25.40	6.35	12.70	4.76