

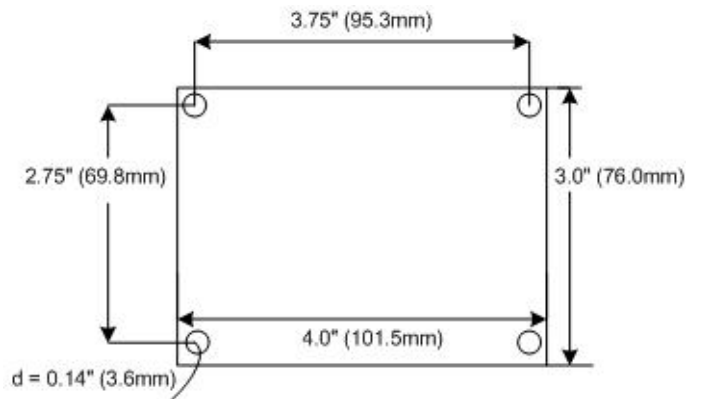


## 2.4GHz 10~20 Watt Amplifier OEM Module Item # 24603

**Designed** for use as an add-on module with existing wireless radio equipment where high power is required. It offer peak output power of 23dBm with Linear power of 10Watt amplifier. The Tx gain remains 20dB.

Due to this higher RF output power, the unit is only offered for sale to Military, overseas or licensed customers.

The unit requires proper mounting on metal for heat sinking.



Item # 24603

### Specifications

#### Electrical:

Operating Range	2400 - 2500 MHz
Operating Mode	TDD, Time Division duplex,
Transmit Power	40 dBm, 10 Watt linear, 43dBm /20Watt peak
Transmit Gain	20 dB
Transmit input Power	3dBm min 23 dBm max
Receive Gain	18 dB
Noise Figure	1.8 dB
LED indicators	Red for Receive (Default mode) Green for Transmit
Power Consumption	60mA Rx, 1A Tx @ 28 VDC
Operating Temp	-40 °C to + 65 °C
Dimension:	3.0" x 4.0"
Weight:	8.0 oz (with metal base plate)

#### Options:

RF Connectors	SMA female or soldered coax cable
DC Power	Over coax, using DC injector, or Direct feed via soldered wire