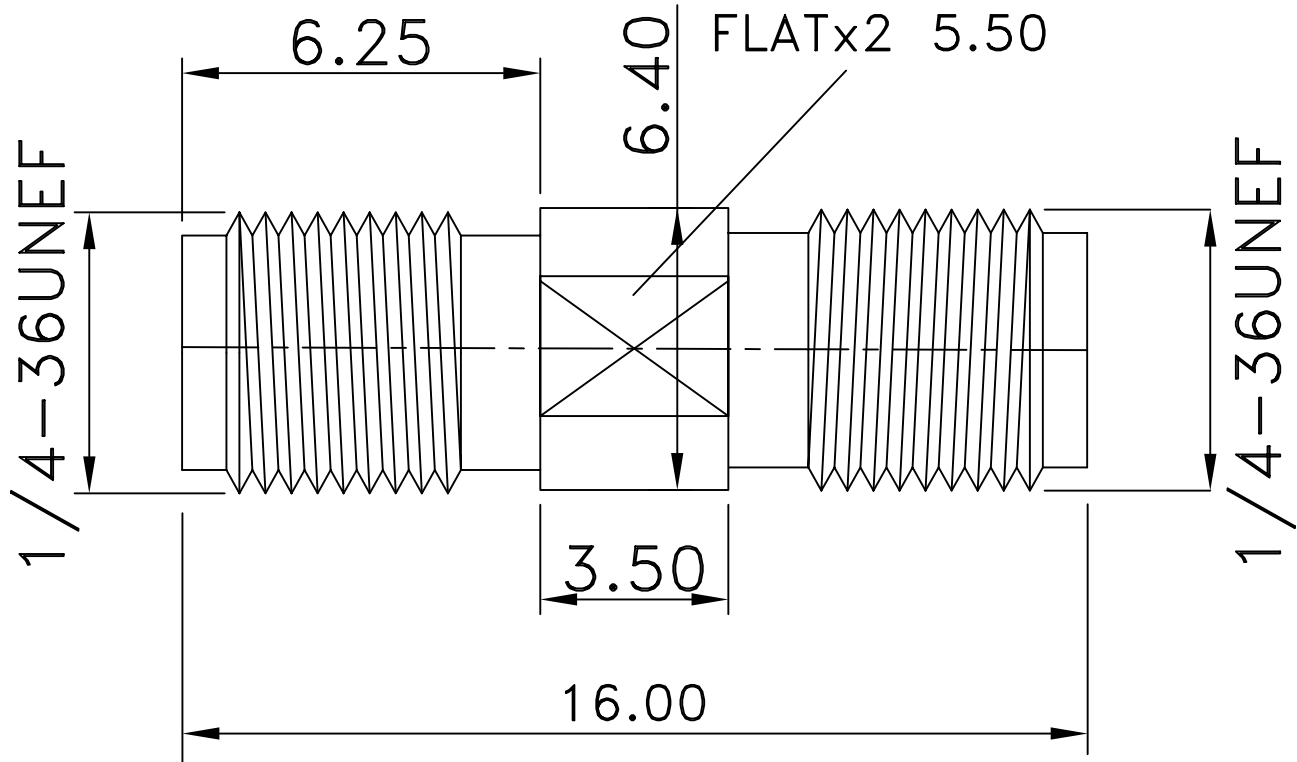



REV	DESCRIPTION	DRAWN	DATE



NO	Description	Q'ty	Material	Finish	UNLESS OTHERWISE SPECIFIED	* MAJOR DIMENSION	APPROVED					
3	PIN	1	Be Cu	GOLD	1.REMOVE ALL BURRS. 2.BREAK ALL CONNERS & EDGES CO.15 MAX. 3.CHAMFER 1ST & LAST THREADS 45° 4.DIAMETERS ON COMMON CENTERS. TO BE CONCENTRIC WITHIN 0.1 T.I.R. 5.ALL DIMENSIONS ARE AFTER PLATING.	UNLESS OTHERWISE NOTED TOLERANCES 0.5-6=±0.2 6-30=±0.4 30-120=±0.6 120-315=±1.0 ANGLES=±1°			TITLE			
2	INSULATOR	1	TEFLON	NONE			CHECKED	SMA Female to SMA Female				
1	BODY	1	BRASS	GOLD			DRAWN	62153	REV			
							andrew		A			
					SCALE	3/1	UNIT	MM	DRAWN DATE	03/06/02	FILE NO.	