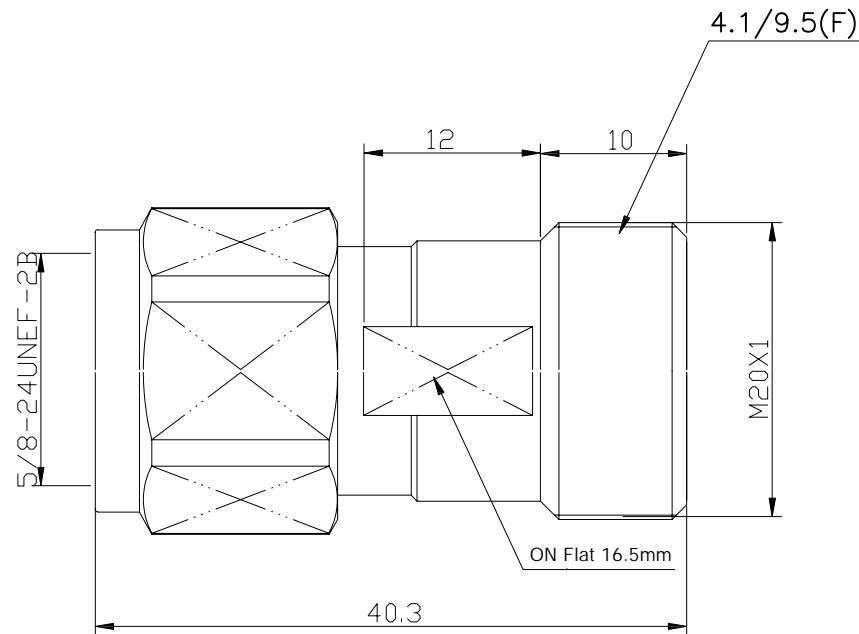


1	2	3	4	5	6	7	8
REV	DESCRIPTION	ECN NO.	NAME	DATE	CUSTOMER OUTLINE DRAWING		



MECHANICAL SPECIFICATION

-Body material	Brass	
-Center contact material	Brass	
-Insulator material	PTFE	
-Body finish	Trimetal Plating	N/4.1/9.5
-NUT	Nickel Plating	N
-Center contact finish	Silver Plating	N/4.1/9.5
-Gasket	Silicon Rubber	
-Ring	Bronze	



MECHANICAL CHARACTERISTICS

Center contact retention	
-Axial force	28 N mini
-Torque	0.1 N.M mini

ELECTRICAL CHARACTERISTICS

- VSWR 1.25 Max.@0-3GHz
- IMD (2*43dBm) <= -165dBC
- Insulation resistance(Mohm)>=5000
- withstanding voltage AC(V/min)>=2500V

-Working temperature: -40~+85°C
All dimensions are after plating.

REV	A	SCALE	2/1	ITEM NO.	SHIREEN INC. 12910 Cloverleaf Center Dr Ste 110 Germantown, MD 20874 USA		
WEIGHT(g)	-			62276			
SURFACE(mm ²)	-	UNLESS OTHERWISE SPECIFIED TOLERANCES TOLERANCES 1. .* ±0.3 2. .** ±0.3 3. ANGLE ±3° 4 T.I.R 0.1 5. SURFACE ROUGHNESS Ra1.6 6. EDGES C0.15 MAX.		APPROVED	TITLE		
* MAJOR DIMENSION				CHECKED	4.1/9.5 Female - N Male Adapter		
				DRAWN	DRAWING NO.		
				DATE	PART NO.		

1	2	3	4	5	6	7	8
---	---	---	---	---	---	---	---