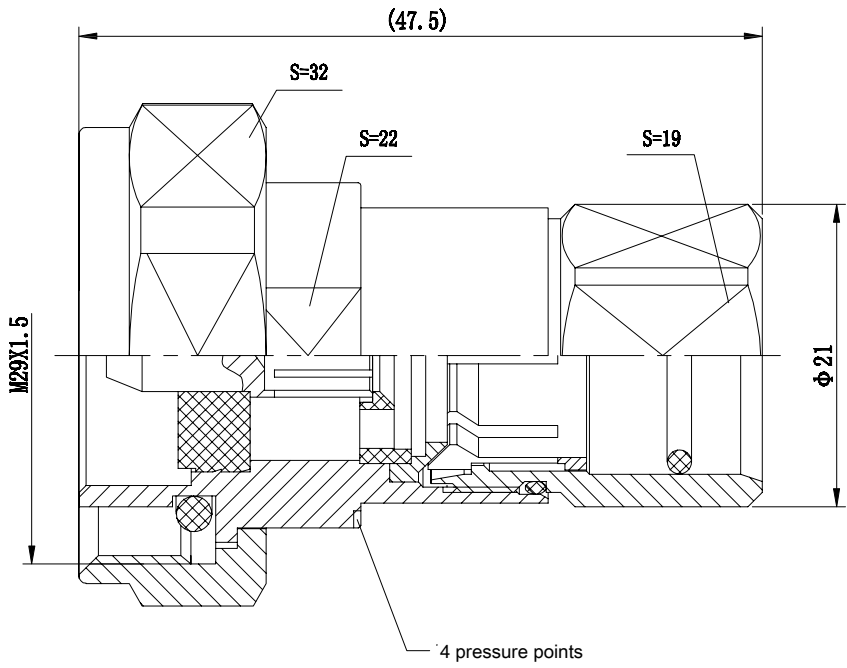


REV	DESCRIPTION	ECN NO.	NAME	DATE

CUSTOMER OUTLINE DRAWING



MECHANICAL SPECIFICATION

- Body material Brass
- Center contact material Brass
- Insulator material PTFE
- Body finish Albaloy (COPPER-TIN-ZINC) 2um
- Outer conductor Albaloy (COPPER-TIN-ZINC) 2um
- Nut finish Nickel 2um
- Center contact finish Silver 3um
- Gasket Silicon Rubber

MECHANICAL CHARACTERISTICS

- Center contact retention
- Axial force 28 N mini
- Torque 0.1 N.M mini

ELECTRICAL CHARACTERISTICS

- Insulation resistance(Mohm) \geq 5000
- withstanding voltage AC(V/min) \geq 2500V
- VSWR \leq 1.1(0.8~1.0GHz)
- \leq 1.10(1.7~2.5GHz)
- \leq 1.15(2.5~3.0GHz)

- IMD 2*43dBm <-155dBc
- Working temperature: -40~+85°C

All dimensions are after plating.

CABLE:1/2 CABLE

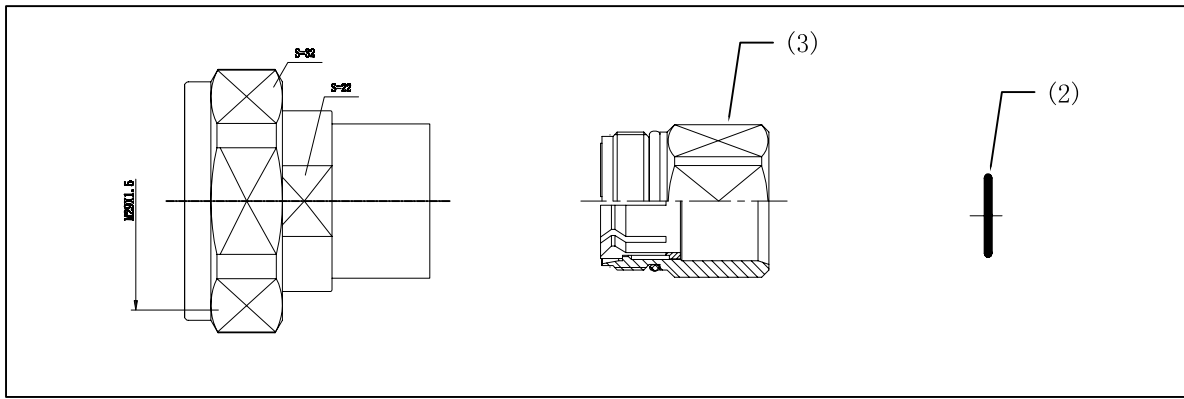
REV	A	SCALE	2/1	ITEM NO.	CON-5070	SHIREEN INC. 12910 Cloverleaf Center Dr Ste 110 Germantown, MD 20874 USA	
WEIGHT(g)	-			APPROVED			
SURFACE(mm ²)	-			CHECKED		TITLE	7/16 DIN Male Connector 1/2" Foam cables
UNLESS OTHERWISE SPECIFIED TOLERANCES TOLERANCES				DRAWN		DRAWING NO.	
1. * \pm 0.3				DATE		PART NO.	
2. ** \pm 0.3							
3. ANGLE \pm 3'							
4 T.I.R 0.1							
5. SURFACE ROUGHNESS Ra1.6							
6. EDGES CO.15 MAX.							
* MAJOR DIMENSION							

xf

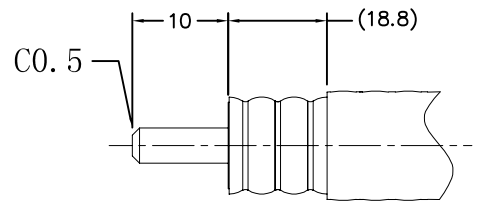
A

(Wiring diagram)

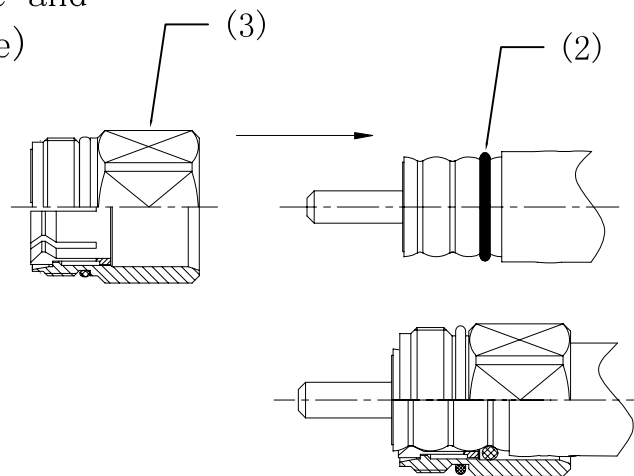
7/16 CONNECTOR FOR 1/2" CABLE



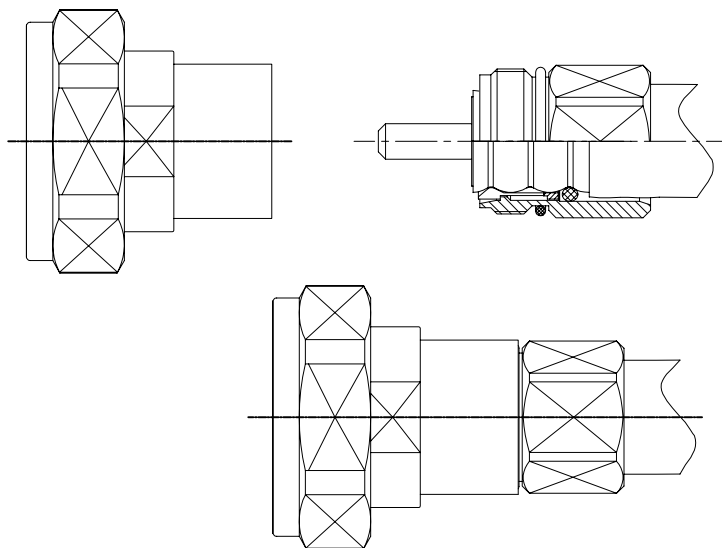
STEP ① Prepare cable according to diagram
(Do not damage corrugate and inner conductor of cable)



STEP ② Pull (3) and (2) forward until it rests in a trough.



STEP ③ Tighten nut; Using torque 1.1 Nm



REF	A	SCALE	4/1	ITEM NO.	CON-5070	SHIREEN INC.
WEIGHT(g)	-			APPROVED		12910 Cloverleaf Center Dr Ste 110 Germantown, MD 20874 USA
SURFACE(mm ²)	-			CHECKED		TITLE 7/16 DIN Male Connector 1/2" Foam cables
UNLESS OTHERWISE SPECIFIED TOLERANCES				DRAWN		DRAWING NO.
1. * ±0.2				DATE		PART NO.
2. ** ±0.1						
3. ANGLE ±3°						
4. T.I.R 0.1						
5. SURFACE ROUGHNESS Ra1.6						
6. EDGES C0.15 MAX.						
* MAJOR DIMENSION						