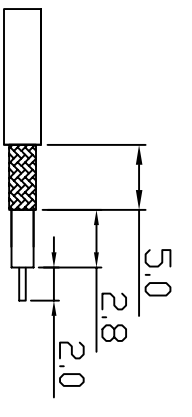
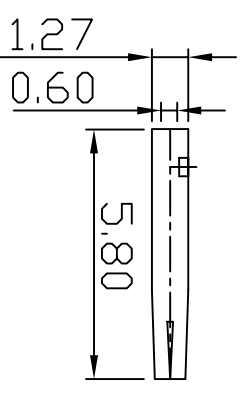
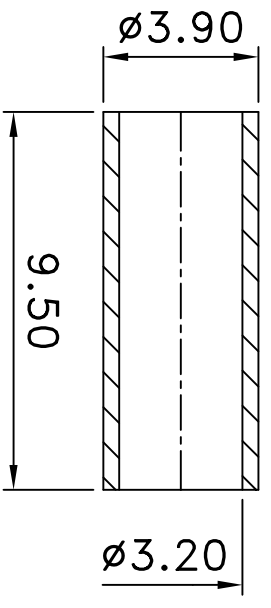
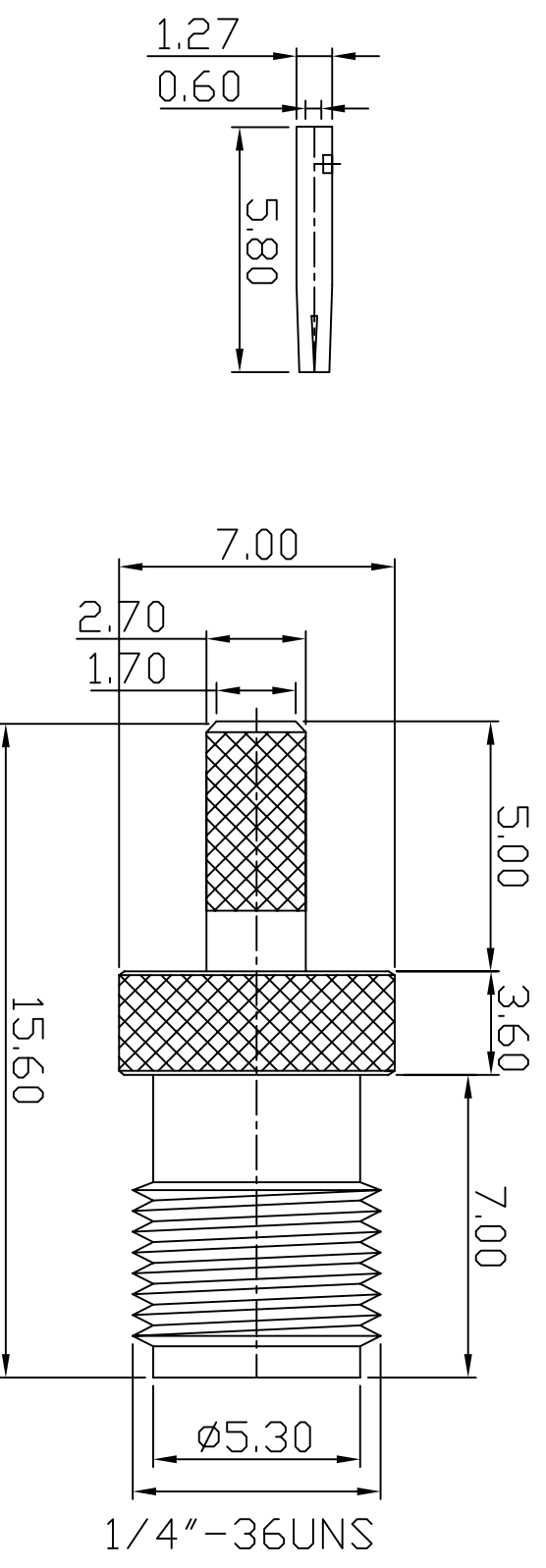


REVISIONS				
ZONE	LTR	DESCRIPTION	DATE	APPROVED
R5	REVISED			



stripping dimensions

UNLESS OTHERWISE SPECIFIED: DIMENSIONS ARE IN MILLIMETERS		CONTRACT NO.	
TOLERANCES		DRAWN	
DECIMALS	ANGULAR	DATE	DATE
.02 ±	2TOL ± 2'TOL/ANG.		
.010 ±	3TOL		
DO NOT SCALE DRAWING		CHECKED	DATE
MATERIAL:		ENGINEER	DATE
FINISH:		APPROVED	DATE
FILE:		APPROVED	DATE
SHIREEN INC. 12910 Cloverleaf Center Dr Ste 110 Germantown, MD 20874 USA		SMA Female RG316/RG174A-U/LMR100A/RFC100A	
SIZE	CAGE CODE	DRAWING NO.	REV
B		CON-2002	1
SCALE	1/1	SHEET	1