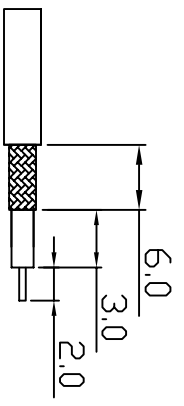
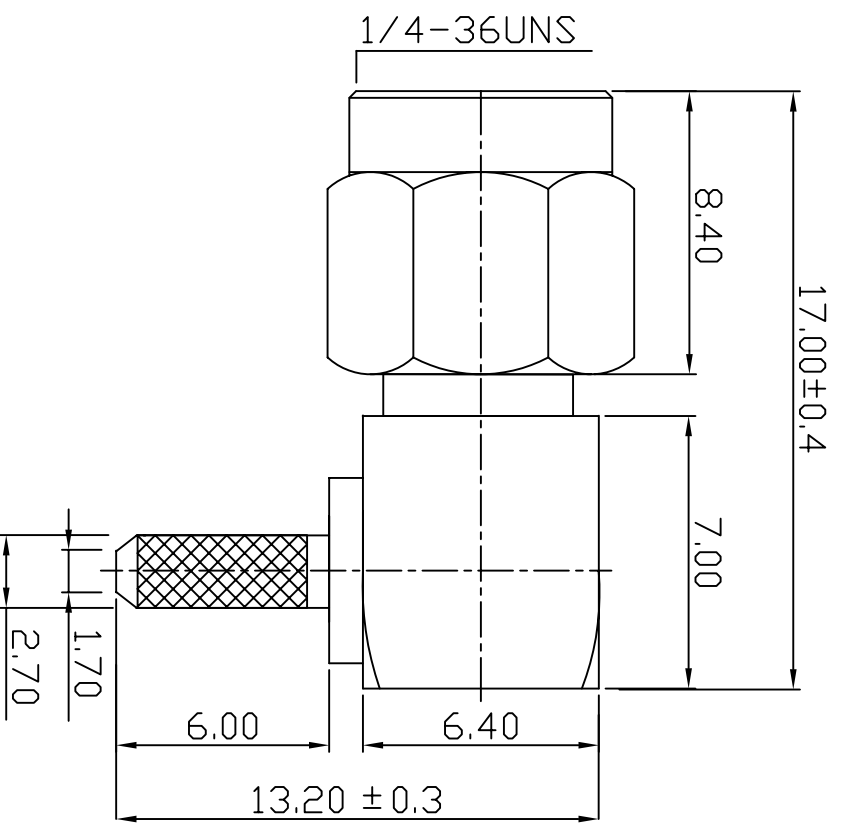
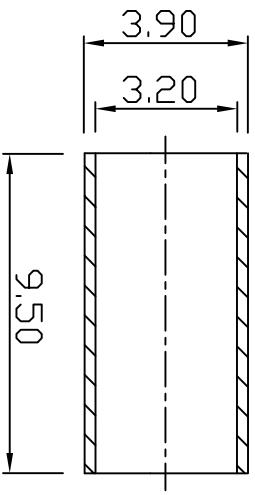


REVISIONS				
ZONE	LTR	DESCRIPTION	DATE	APPROVED
R5	REVISED			



stripping dimensions

UNLESS OTHERWISE SPECIFIED: DIMENSIONS ARE IN MILLIMETERS TOLERANCES		CONTRACT NO.	
DECIMALS	ANGULAR	DRAWN	DATE
.02 ± 2TOL	± 2TOL/ANG.	CHECKED	DATE
.010 ± 3TOL		ENGINEER	DATE
DO NOT SCALE DRAWING		APPROVED	DATE
MATERIAL:		APPROVED	DATE
FINISH:		APPROVED	DATE
FILE:		APPROVED	DATE
SHIREEN INC. 12910 Cloverleaf Center Dr Ste 110 Germantown, MD 20874 USA		SIZE	SCALE
SMA Male Right Angle		B	1/1
RG316/RG174A-U/LMR100A/RFC100A		CAGE CODE	DRAWING NO.
		CON-2005	CON-2005
		REV	1
		SHEET	1