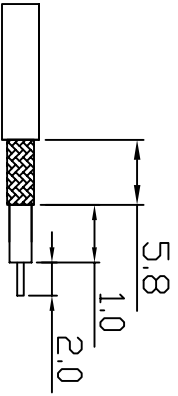
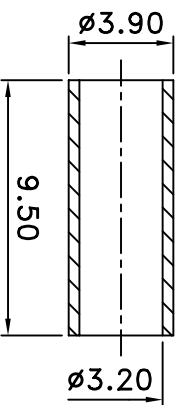
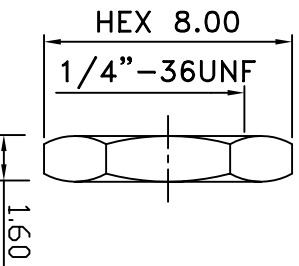
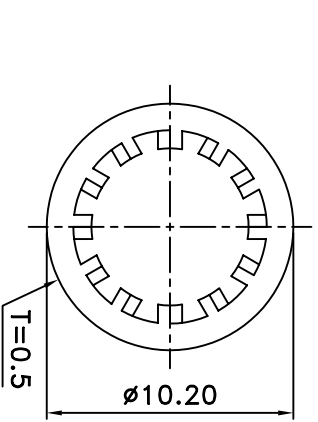
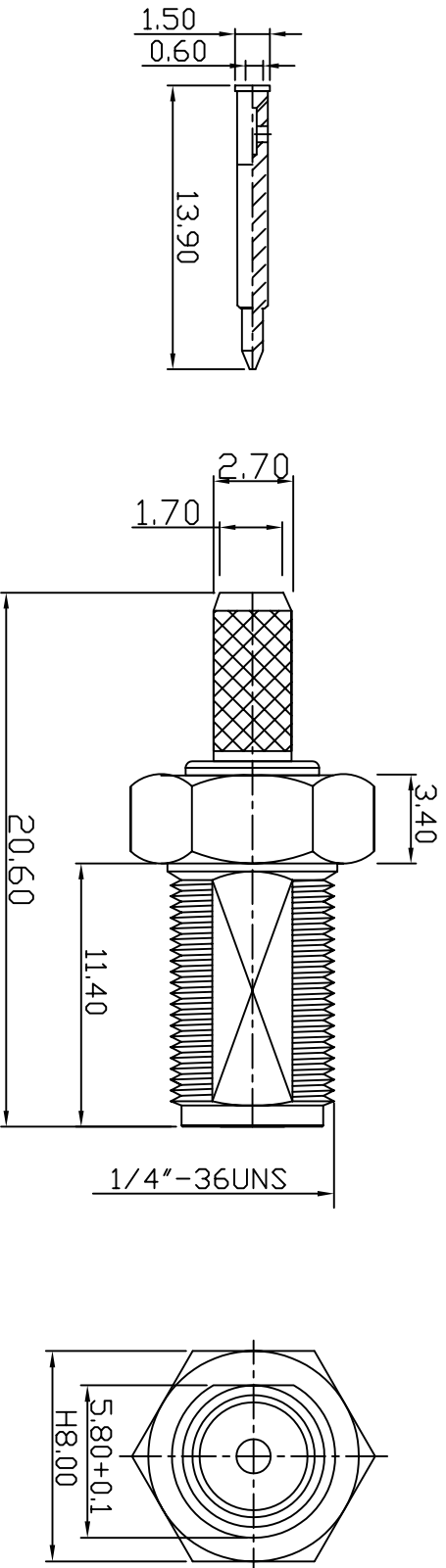


REVISIONS				
ZONE	LTR	DESCRIPTION	DATE	APPROVED
R5	REVISED			



stripping dimensions

UNLESS OTHERWISE SPECIFIED: DIMENSIONS ARE IN MILLIMETERS		CONTRACT NO.	
TOLERANCES		DRAWN	DATE
DECIMALS	ANGULAR	CHECKED	DATE
.02 ±	2TOL ± 2'TOL/ANG.	ENGINEER	DATE
.010 ± 3TOL	DO NOT SCALE DRAWING	APPROVED	DATE
MATERIAL:		APPROVED	DATE
FINISH:		FILE:	DATE
RP SMA Female Bulk Head		SCALE	1/1
RG316/RG174A-U/LMR100A/RFC100A		CAGE CODE	CON-2013
SHIREEN INC.		DRAWING NO.	1
12910 Cloverleaf Center Dr Ste 110		REV	1
Germantown, MD 20874 USA		SHEET	1