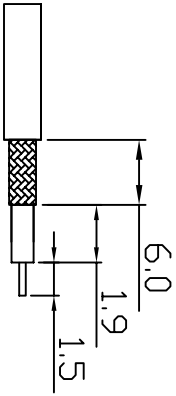
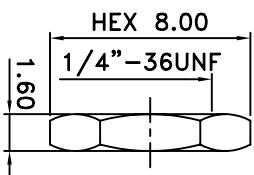
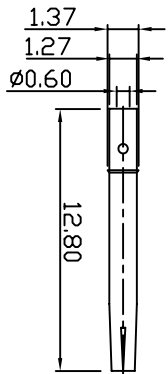
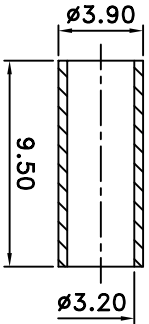
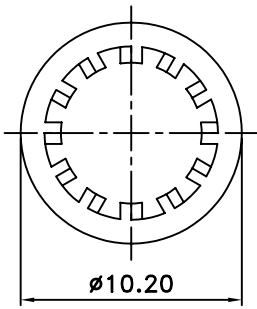
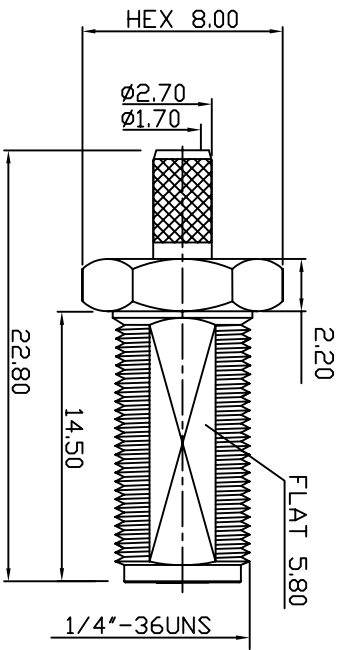


| | | | | |
|----|-------------|-----|----------|--------|
| 7 | FERRULE | 1 | COPPER | GOLD |
| 6 | PIN | 1 | Be Cu | GOLD |
| 5 | BODY | 1 | BRASS | GOLD |
| 4 | INSULATOR A | 1 | TEFLON | NONE |
| 3 | WASHER | 1 | BRASS | GOLD |
| 2 | WASHER | 1 | BRASS | GOLD |
| 1 | NUT | 1 | BRASS | GOLD |
| NO | Description | Qty | Material | Finish |

| REVISIONS | | | | |
|-----------|---------|-------------|------|----------|
| ZONE | LTR | DESCRIPTION | DATE | APPROVED |
| R5 | REVISED | | | |



stripping dimensions

| | | | |
|--|----------------------|--------------|-------------|
| UNLESS OTHERWISE SPECIFIED: DIMENSIONS ARE IN MILLIMETERS | | CONTRACT NO. | |
| TOLERANCES | | DRAWN | |
| DECIMALS | ANGULAR | DATE | DATE |
| .02 ± 2TOL | ± 2TOL/ANG. | | |
| .010 ± 3TOL | DO NOT SCALE DRAWING | CHECKED | DATE |
| MATERIAL: | | ENGINEER | DATE |
| FINISH: | | APPROVED | DATE |
| FILE: | | APPROVED | DATE |
| SHIREEN INC. 12910 Cloverleaf Center Dr Ste 110 Germantown, MD 20874 USA | | SIZE | CAGE CODE |
| SMA Female BH Long 14.5MM | | B | |
| RFC100A | | SCALE | DRAWING NO. |
| | | 1/1 | CON-2021 |
| | | SHEET | REV |
| | | 1 | 1 |