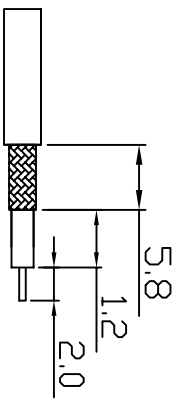
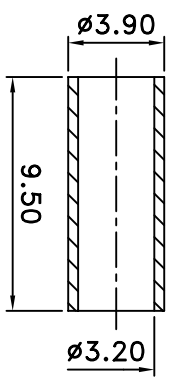
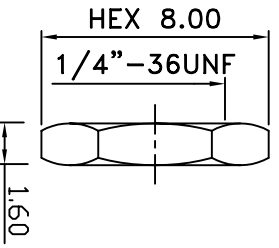
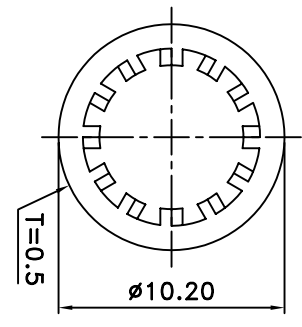
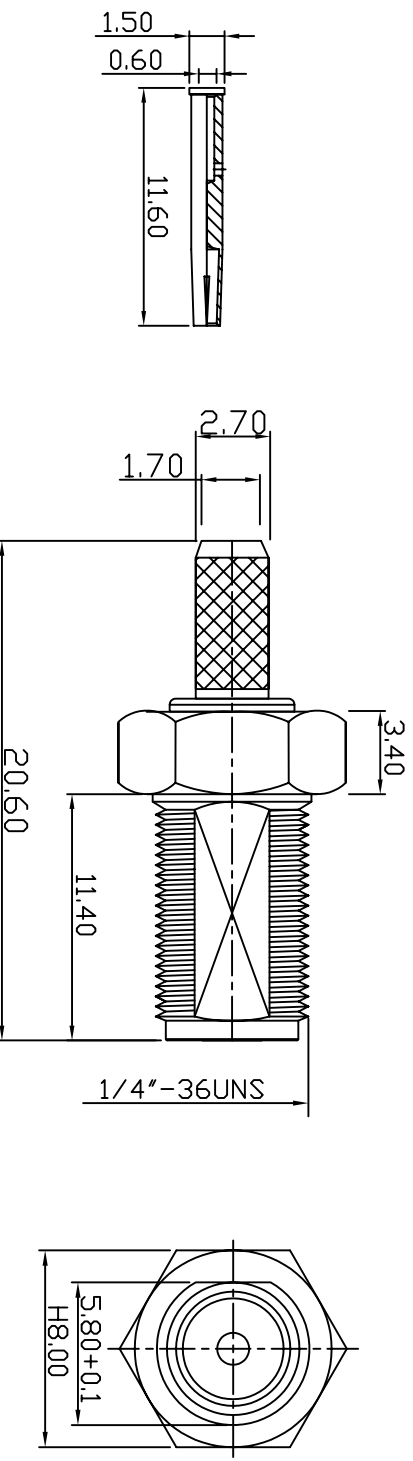


REVISIONS				
ZONE	LTR	DESCRIPTION	DATE	APPROVED
R5	REVISED			



stripping dimensions

UNLESS OTHERWISE SPECIFIED: DIMENSIONS ARE IN MILLIMETERS		CONTRACT NO.	
TOLERANCES		DRAWN	
DECIMALS	ANGULAR	DATE	
.02 ±	2TOL ± 2'TOL	CHECKED	DATE
.010 ± 3TOL	DO NOT SCALE DRAWING	ENGINEER	DATE
MATERIAL:		APPROVED	DATE
FINISH:		APPROVED	DATE
FILE:		APPROVED	DATE
SHIREEN INC. 12910 Cloverleaf Center Dr Ste 110 Germantown, MD 20874 USA		SIZE	CAGE CODE
SMA Female Bulk Head		B	
RG316/RG174A-U/LMR100A/RFC100A		SCALE	DRAWING NO.
		1/1	CON-2035
		SHEET	REV
		1	1