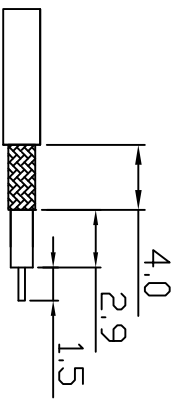
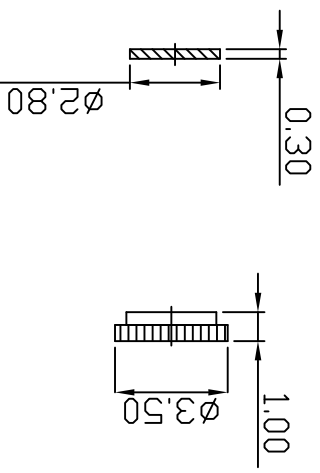
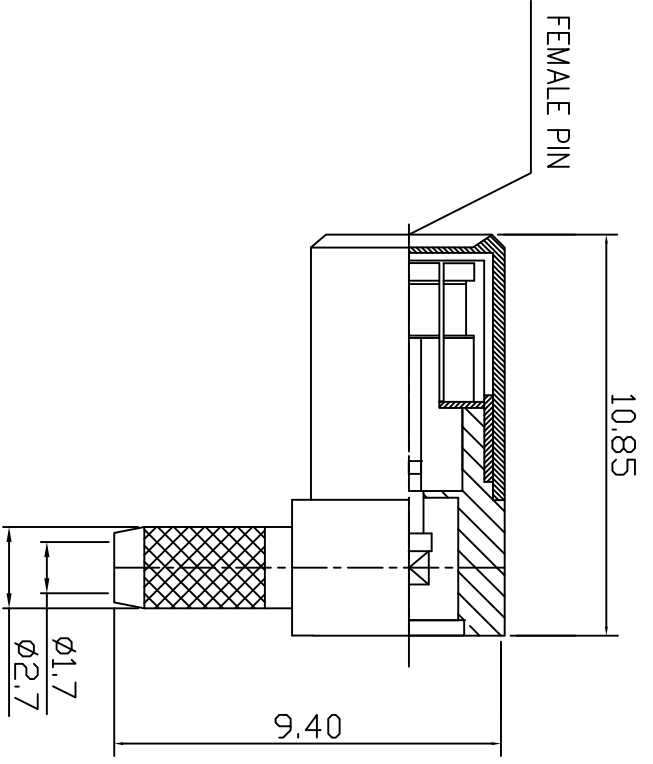


8	FERRULE	1	BRASS	GOLD
7	COVER	1	BRASS	GOLD
6	INSULATOR	1	TEFLON	NONE
5	INNER CONTACT	1	BERYLLIUM	GOLD
4	SHELL	1	BRASS	GOLD
3	INSULATOR	1	TEFLON	NONE
2	CONTACT	1	BERYLLIUM	GOLD
1	BODY	1	BRASS	GOLD
NO	Description	Qty	Material	Finish



stripping dimensions

REVISIONS				
ZONE	LTR	DESCRIPTION	DATE	APPROVED
R5	REVISED			

UNLESS OTHERWISE SPECIFIED: DIMENSIONS ARE IN MILLIMETERS		CONTRACT NO.	
TOLERANCES		DRAWN	
DECIMALS	ANGULAR	DATE	DATE
.02 ±	2TOL ± 2TOL	CHECKED	DATE
.010 ± 3TOL	DO NOT SCALE DRAWING	ENGINEER	DATE
MATERIAL:		APPROVED	DATE
FINISH:		APPROVED	DATE
FILE:		APPROVED	DATE
SHIREEN INC. 12910 Cloverleaf Center Dr Ste 110 Germantown, MD 20874 USA		SIZE B	
SMB Male R/A		CAGE CODE	
RFC100A		DRAWING NO. CON-2209	
SCALE 1/1		SHEET 1	
REV 1		REV 1	