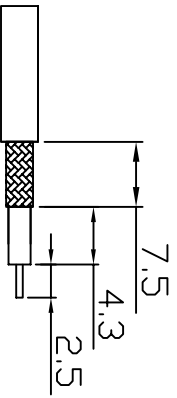
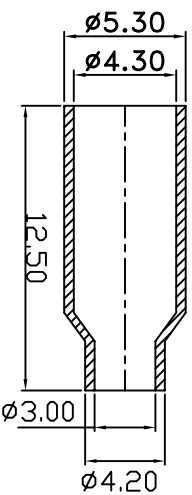
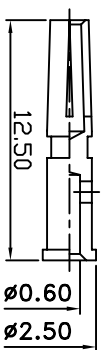
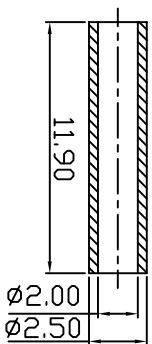
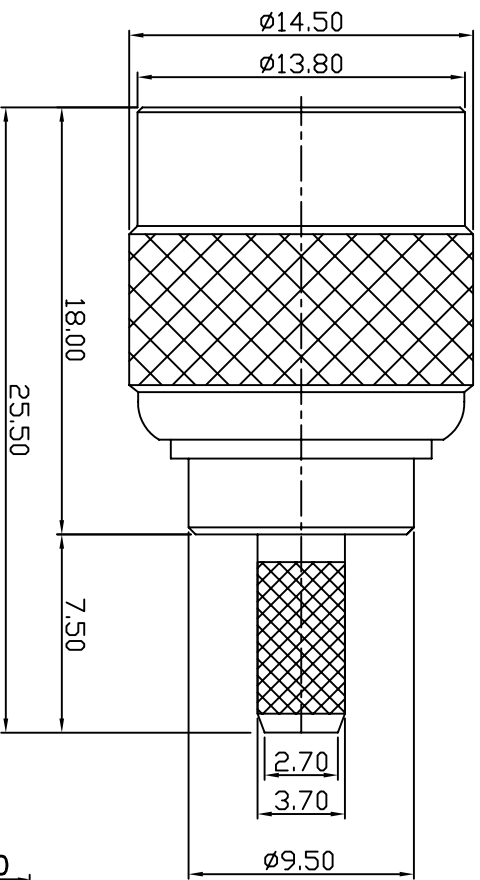


REVISIONS				
ZONE	LTR	DESCRIPTION	DATE	APPROVED
R5	REVISED			



stripping dimensions

UNLESS OTHERWISE SPECIFIED: DIMENSIONS ARE IN MILLIMETERS		CONTRACT NO.	
TOLERANCES		DRAWN	
DECIMALS	ANGULAR	DATE	
.02 ± 2TOL	± 2'TOL/ANG.	CHECKED	DATE
.010 ± 3TOL		ENGINEER	DATE
DO NOT SCALE DRAWING		APPROVED	DATE
MATERIAL:		APPROVED	DATE
FINISH:		APPROVED	DATE
FILE:		APPROVED	DATE
SHIREEN INC. 12910 Cloverleaf Center Dr Ste 110 Germantown, MD 20874 USA		SIZE	CAGE CODE
RP TNC Male		B	
RFC100A		SCALE	DRAWING NO.
		1/1	CON-3015
		SHEET	REV
		1	1