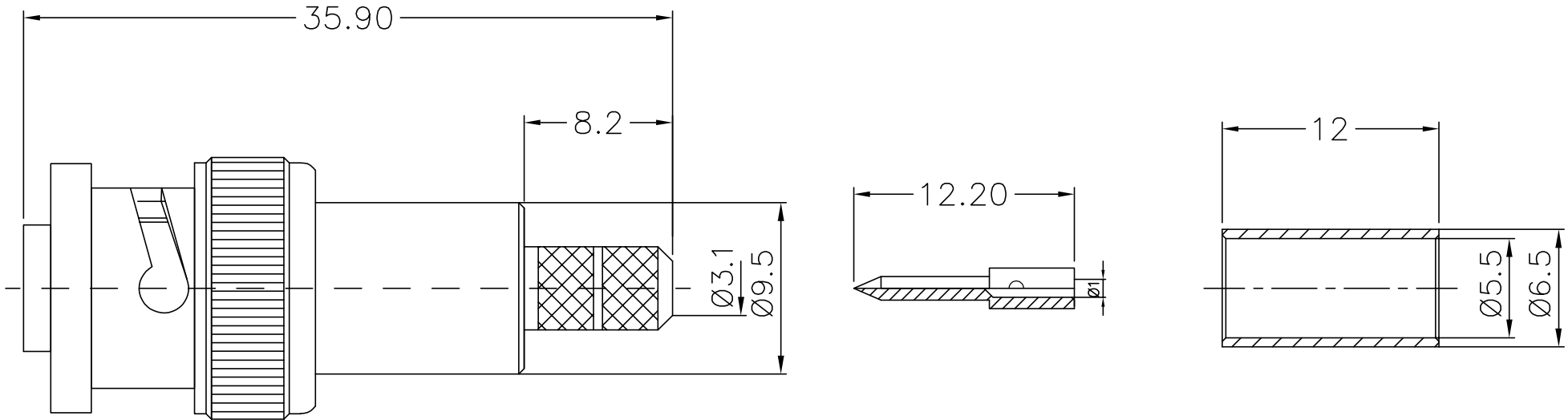


REV	DESCRIPTION	ECN NO.	NAME	DATE



**ELECTRICAL REQUIREMENTS:**  
 -Connector Impedance 50 Ohm  
 -Frequency Range DC-300MHz  
 -Dielectric Withstanding Voltage  $\geq 3000V$  RMS,50Hz,at sea level  
 -VSWR TBD

**MECHANICAL SPECIFICATION**  
 -Body material Brass  
 -Center contact material Brass  
 -Insulator material PTFE  
 -Body finish NI  
 -Ferrule finish NI  
 -Center contact finish Gold

REV	v1	SCALE	--
WEIGHT(g)	-		
SURFACE(mm <sup>2</sup> )	-		
UNLESS OTHERWISE SPECIFIED TOLERANCES			
1. * $\pm 0.3$			
2. ** $\pm 0.3$			
3. ANGLE $\pm 3^\circ$			
4 T.I.R 0.1			
5. SURFACE ROUGHNESS Ra1.6			
6. EDGES CO.15 MAX.			
* MAJOR DIMENSION			

ITEM NO.	-----
APPROVED	
CHECKED	
DRAWN	
DATE	2021-08-10

Shireen Inc. 12910 Cloverleaf Center Dr. Suite 110 Germantown, MD 20874
TITLE MHV Male for RG58
DRAWING NO.

F  
E  
D  
C  
B  
A

F  
E  
D  
C  
B  
A

1 2 3 4 5 6 7 8