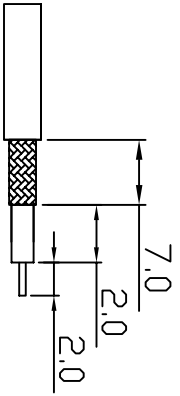
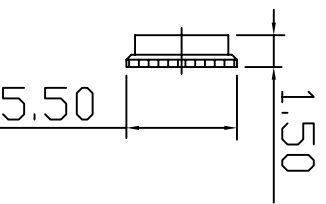
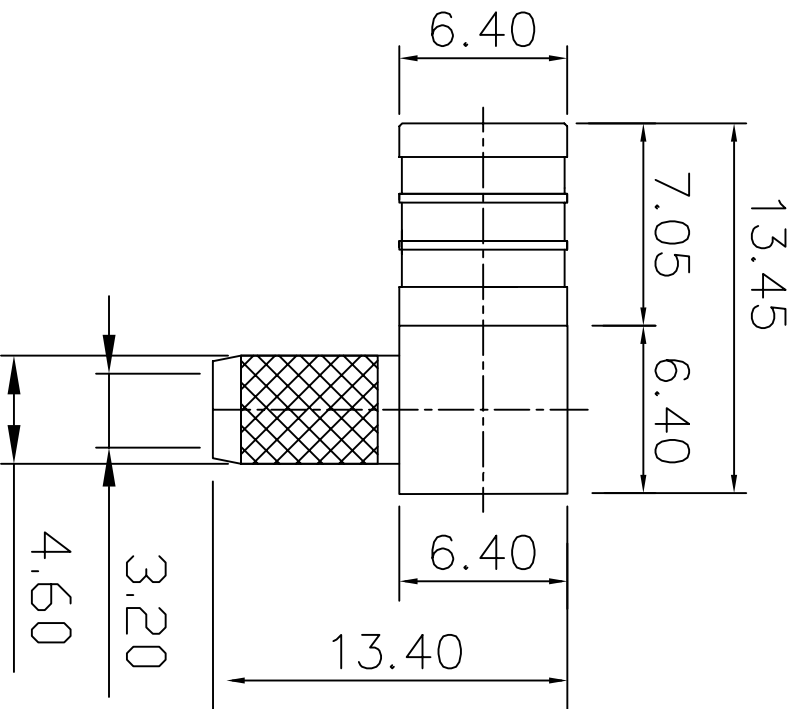
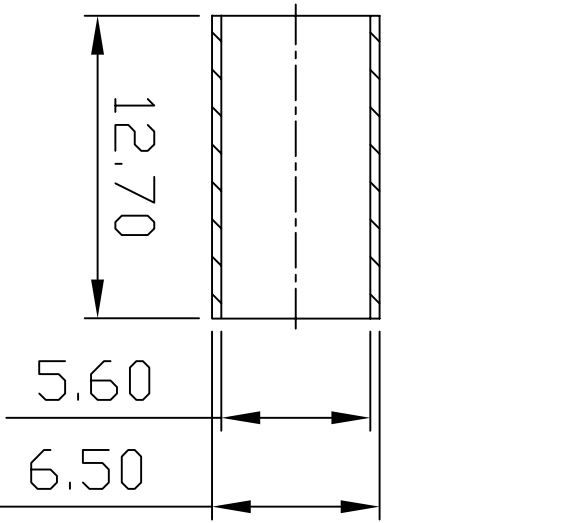


REVISIONS				
ZONE	LTR	DESCRIPTION	DATE	APPROVED
R5	REVISED			



stripping dimensions

UNLESS OTHERWISE SPECIFIED: DIMENSIONS ARE IN MILLIMETERS TOLERANCES		CONTRACT NO.	
DECIMALS	ANGULAR	DRAWN	DATE
.02 ± 2TOL	± 2TOL/ANG.	CHECKED	DATE
.010 ± 3TOL		ENGINEER	DATE
DO NOT SCALE DRAWING		APPROVED	DATE
MATERIAL:		APPROVED	DATE
FINISH:		APPROVED	DATE
FILE:		APPROVED	DATE
SHIREEN INC. 12910 Cloverleaf Center Dr Ste 110 Germantown, MD 20874 USA		SMB Male RA RFC195	
SIZE	CAGE CODE	DRAWING NO.	REV
B		CON-2205	1
SCALE	1/1	SHEET	1