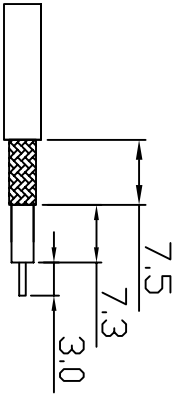
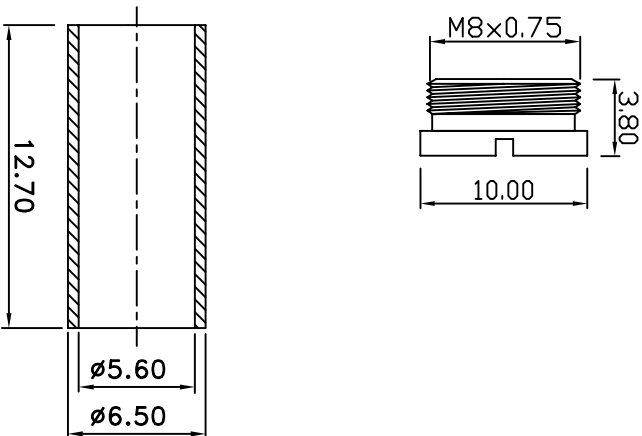
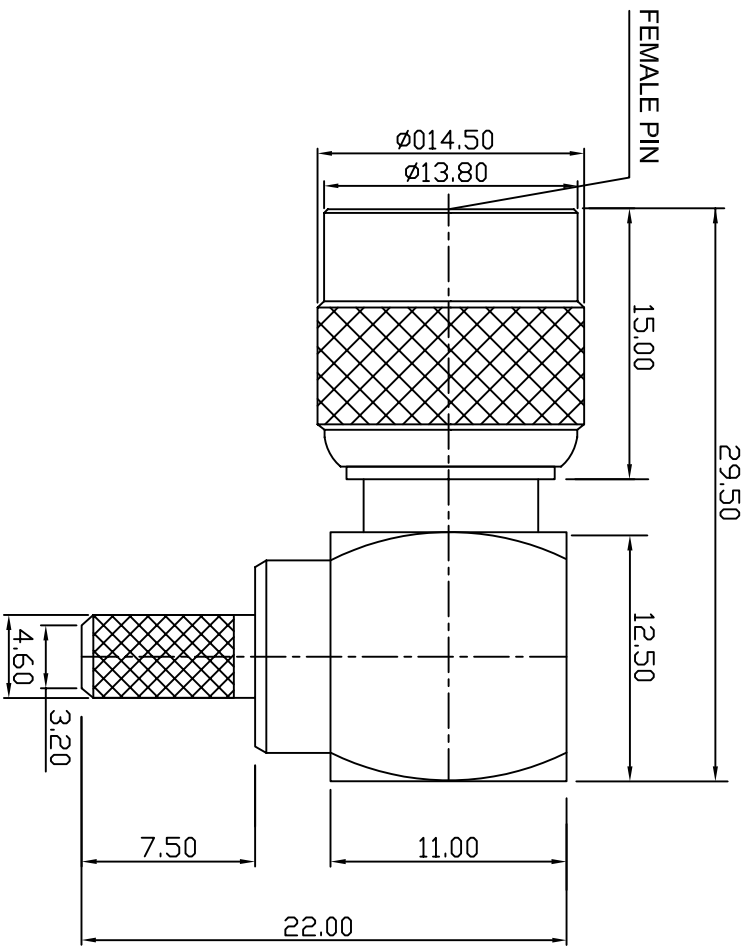


4	INSULATOR	1	TEFLON	NONE
3	FERRULE	1	BRASS	NICKEL
2	PIN	1	BRASS	GDLD
1	BDDY	1	BRASS	NICKEL
NO	Description	Qty	Material	Finish



stripping dimensions

REVISIONS			DATE	APPROVED
ZONE	LTR	DESCRIPTION	DATE	APPROVED
R5	REVISED			

UNLESS OTHERWISE SPECIFIED: DIMENSIONS ARE IN MILLIMETERS TOLERANCES		CONTRACT NO.	
DECIMALS	ANGULAR	DRAWN	DATE
.02 ±	2TOL ± 2'TOL	CHECKED	DATE
.010 ± 3TOL	DO NOT SCALE DRAWING	ENGINEER	DATE
MATERIAL:		APPROVED	DATE
FINISH:		APPROVED	DATE
FILE:		APPROVED	DATE
SHIREEN INC. 12910 Cloverleaf Center Dr Ste 110 Germantown, MD 20874 USA		SIZE	CAGE CODE
RP TNC Male RA RFC195		B	
DRAWING NO. CON-3051		SCALE	1/1
REV		SHEET	1