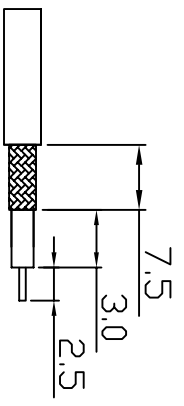
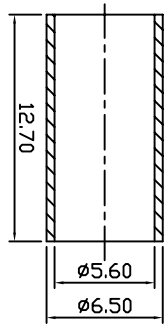
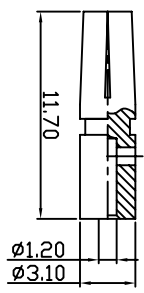
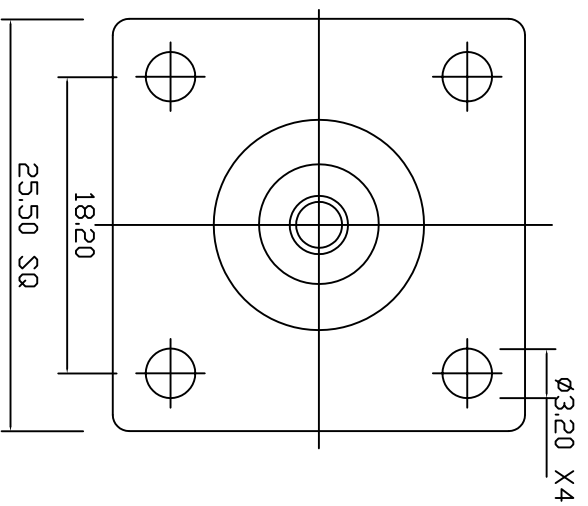
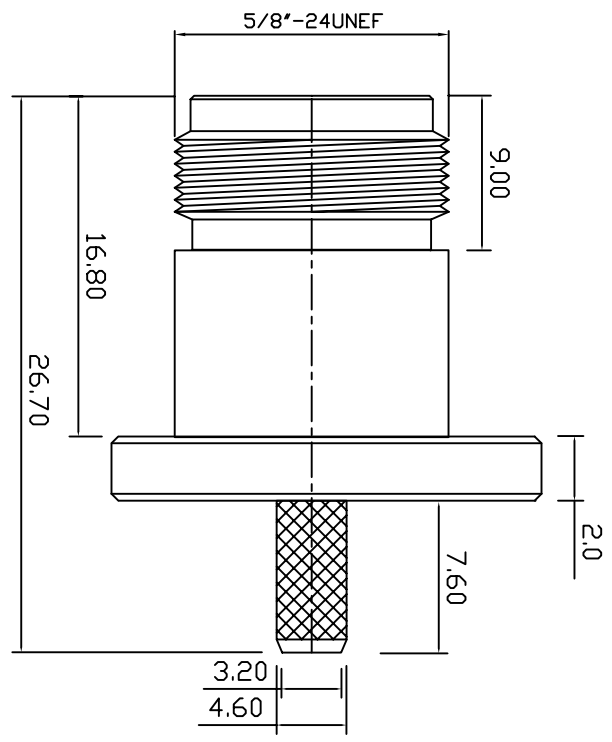


REVISIONS				
ZONE	LTR	DESCRIPTION	DATE	APPROVED
R5	REVISED			



stripping dimensions

UNLESS OTHERWISE SPECIFIED: DIMENSIONS ARE IN MILLIMETERS		CONTRACT NO.	
TOLERANCES		DRAWN	
DECIMALS	ANGULAR	DATE	
.02 ± 2TOL	± 2° TOL	CHECKED	DATE
.010 ± 3TOL	DO NOT SCALE DRAWING	ENGINEER	DATE
MATERIAL:		APPROVED	DATE
FINISH:		APPROVED	DATE
FILE:		APPROVED	DATE
SHIREEN INC. 12910 Cloverleaf Center Dr Ste 110 Germantown, MD 20874 USA		Type N Female 4 Hole Flange 1"	
SIZE	CAGE CODE	DRAWING NO.	REV
B		CON-4029	1
SCALE	1/1	SHEET	1