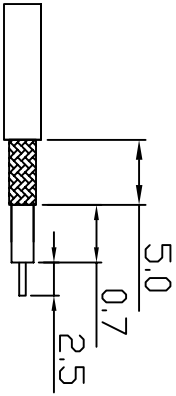
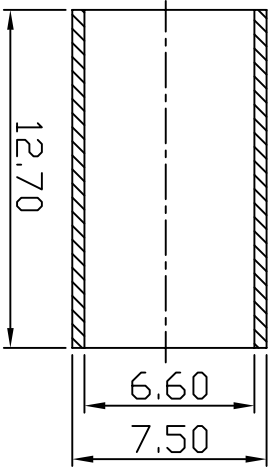
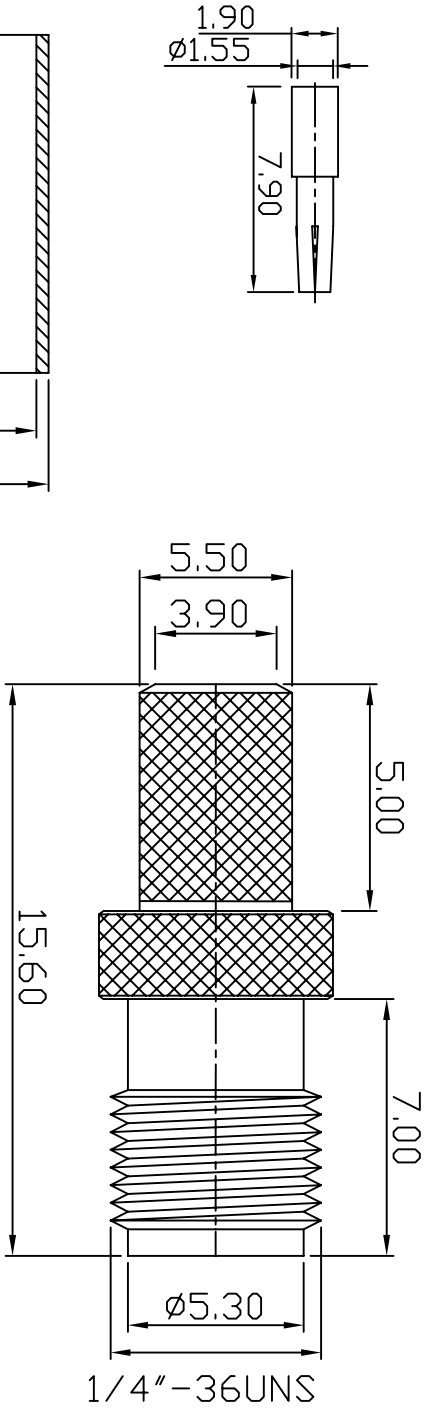


4	INSULATOR	1	TEFLON	NONE
3	FERRULE	1	BRASS	NICKEL
2	PIN	1	BRASS	GDL D
1	BODY	1	BRASS	NICKEL
NO	Description	Qty	Material	Finish

REVISIONS				
ZONE	LTR	DESCRIPTION	DATE	APPROVED
R5	REVISED			



stripping dimensions

UNLESS OTHERWISE SPECIFIED: DIMENSIONS ARE IN MILLIMETERS TOLERANCES		CONTRACT NO.	
DECIMALS	ANGULAR	DRAWN	DATE
.02 ±	ZTOL ± 2°TOLANG.	CHECKED	DATE
.010 ± 3TOL	DO NOT SCALE DRAWING	ENGINEER	DATE
MATERIAL:		APPROVED	DATE
FINISH:		APPROVED	DATE
FILE:		APPROVED	DATE
SHIREEN INC. 12910 Cloverleaf Center Dr Ste 110 Germantown, MD 20874 USA		SIZE	CAGE CODE
SMA Female (Nickel) (Not BH)		B	
RFC240		SCALE	DRAWING NO.
		1/1	CON-2036
		SHEET	REV
		1	1