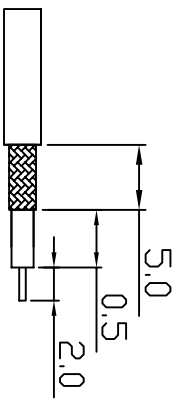
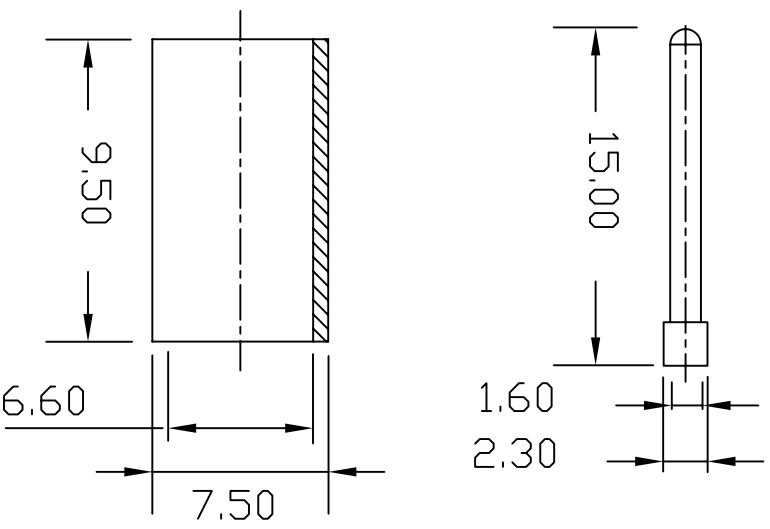
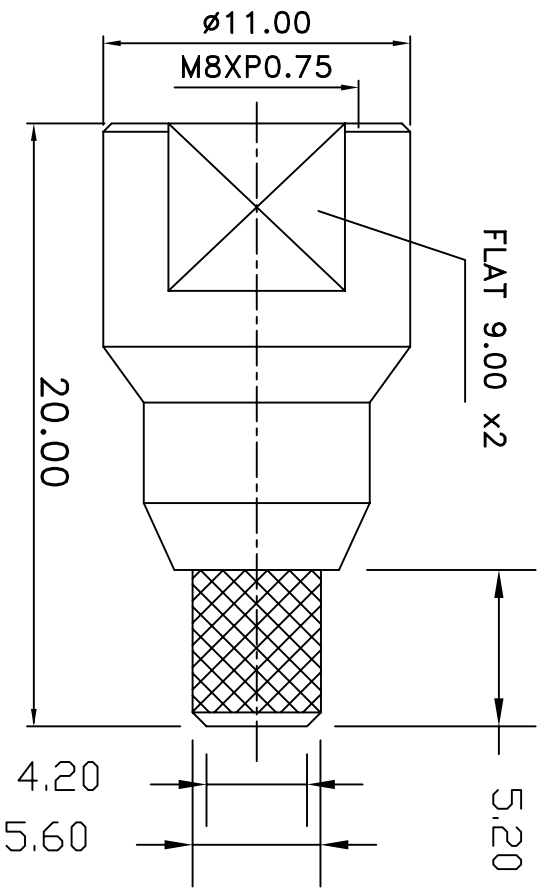


REVISIONS				
ZONE	LTR	DESCRIPTION	DATE	APPROVED
R5	REVISED			



stripping dimensions

UNLESS OTHERWISE SPECIFIED: DIMENSIONS ARE IN MILLIMETERS TOLERANCES		CONTRACT NO.	
DECIMALS	ANGULAR	DRAWN	DATE
.02 ± 2TOL	± 2TOL/ANG.	CHECKED	DATE
.010 ± 3TOL	DO NOT SCALE DRAWING	ENGINEER	DATE
MATERIAL:		APPROVED	DATE
FINISH:		APPROVED	DATE
FILE:		APPROVED	DATE
SHIREEN INC. 12910 Cloverleaf Center Dr Ste 110 Germantown, MD 20874 USA		SIZE	DRAWING NO.
FME Male		B	CON-3054
RFC240		SCALE	SHEET
		1/1	1
			REV
			1