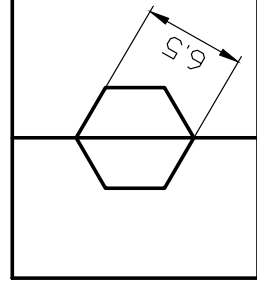
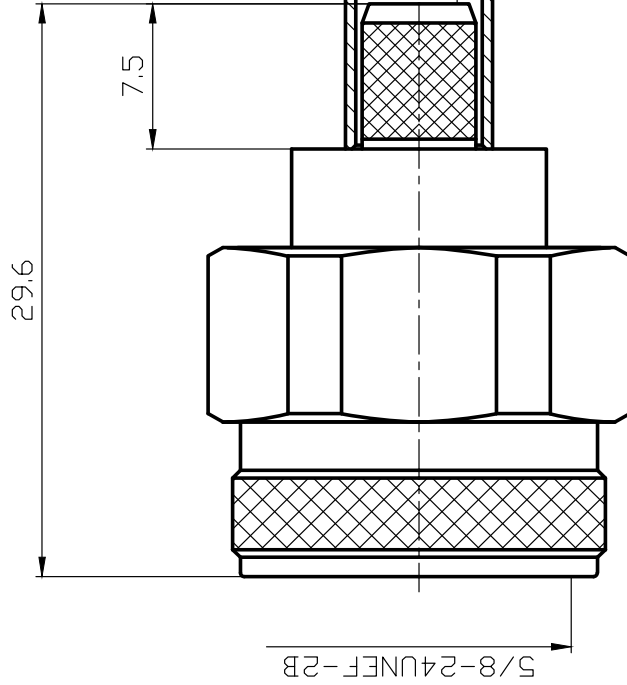


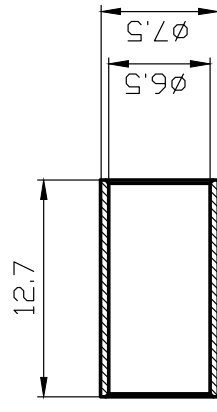
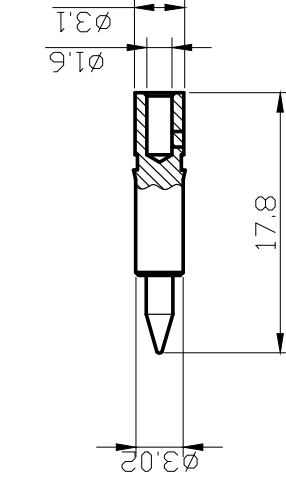
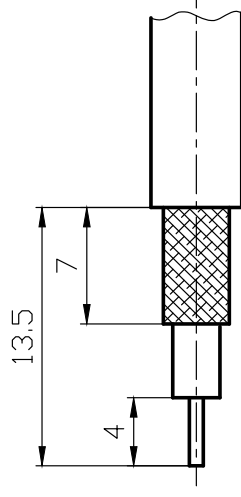
NOTES:

1. MATERIAL AND PLATING  
SHELL,BODY=BRASS,NICKEL PLATED;  
CONTACT=MALE BRASS,GOLD PLATED;  
INSULATOR=PTFE;
2. DO NOT SCALE THIS DRAWING.
3. UNLESS OTHERWISE SPECIFIED, ALL DIMENSIONS ARE AFTER PLATING.
4. ROHS COMPLIANT
5. CHARACTERISTIC IMPEDANCE:50Ω
6. FREQUENCY RANGE:0~3GHz
7. WORKING VOLTAGE:400VRMS
8. DIELECTRIC WITHSTANDING VOLTAGE:2500VRMS
9. INSULATOR RESISTANCE:5000 MEGOHMS MIN



Crimp tools for 240 cable

cable stripping size



REVISIOND					
DRAWING NO	REV	DESCRIPTION	DATE	CEO	APPR
THIRD ANGLE PROJ.⊕					

UNLESS OTHERWISE SPECIFIED, DIMENSIONS ARE IN MM AND TOLERANCES ARE:		SHIREEN INC. 12910 Cloverleaf Center Dr Ste 110 Germantown, MD 20874 USA	
2 PLACE DECIMAL	3 PLACE DECIMAL	ANGLES	SCALE : 2.5: 1
±.015 (0.381mm)	±.005(0.127mm)	±1°	SHEET 1 OF 1
MATERIAL		TITLE	DRAWING NO
REFERENCE		Type N Male for RFC240	
DRAWN	DATE	P/N: CON-4003	REV
DRAWN	DATE		A
DRAWN	DATE		