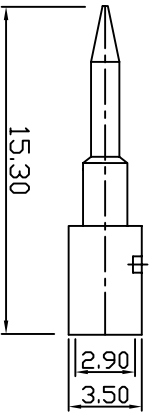
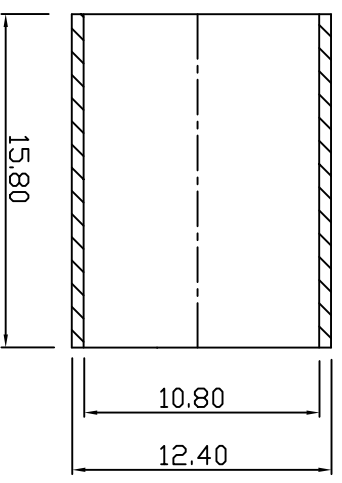
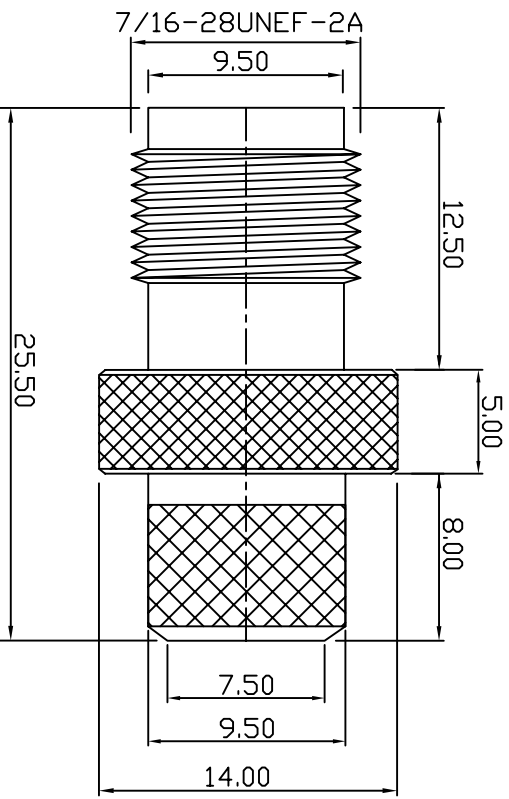


REVISIONS				
ZONE	LTR	DESCRIPTION	DATE	APPROVED
R5	REVISED			



UNLESS OTHERWISE SPECIFIED: DIMENSIONS ARE IN MILLIMETERS TOLERANCES		CONTRACT NO.	
DECIMALS	ANGULAR	DRAWN	DATE
.02±	2TOL ± 2'TOL/ANG.	CHECKED	DATE
.010 ± 3TOL	DO NOT SCALE DRAWING	ENGINEER	DATE
MATERIAL:		APPROVED	DATE
FINISH:		APPROVED	DATE
FILE:		APPROVED	DATE
SHIREEN INC. 12910 Cloverleaf Center Dr Ste 110 Germantown, MD 20874 USA		SIZE	CAGE CODE
RP TNC Female		B	
RFC400		SCALE	DRAWING NO.
		1/1	CON-3017
		SHEET	REV
		1	1