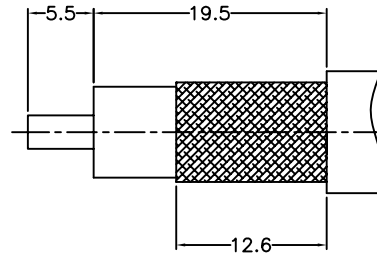
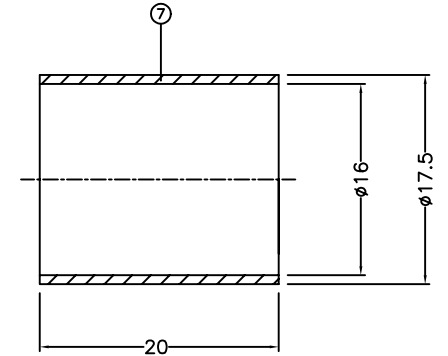
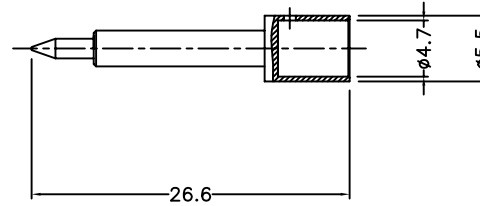
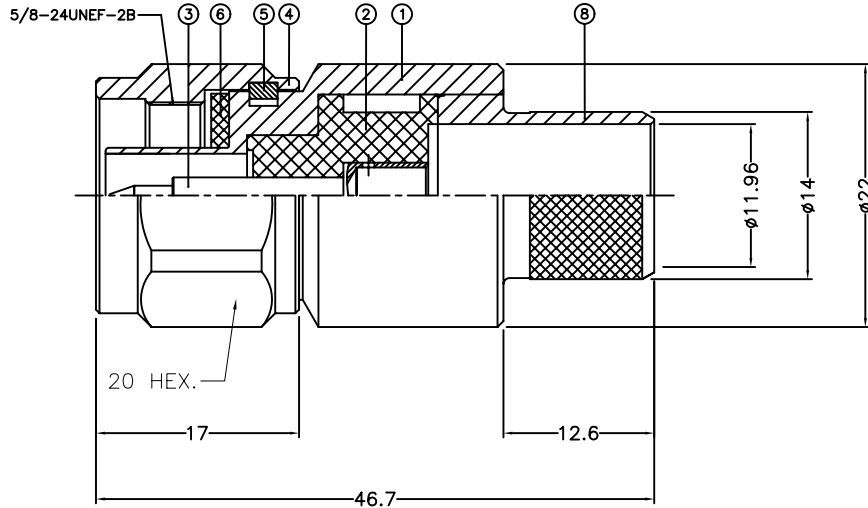


1	2	3	4	5	6	7	8
REV	DESCRIPTION	ECN NO.	NAME	DATE			



RECOMMENDED
CABLE STRIPPING DIM'S

ELECTRICAL SPECIFICATION

- Frequency range from DC~6GHz
- VSWR 1.45 Max.
- Impedance 50 Ohm

ENVIRONMENTAL SPECIFICATIONS

- Operating temperature range from -55° to +150°C

MECHANICAL CHARACTERISTICS

- Center contact retention
- Axial force 28 N mini

NOTES:

1. BRASS PER Hpb59-1
2. BRASS PER Hpb59-1
3. TEFLON MIL-P-19468
4. ALBALOY PLATING (COPPER-TIN-ZINC) PL. 2um. THICK OVER COPPER PL 2um.
5. GOLD PL. 0.075um. THICK OVER COPPER PL. 3um.

NO.	DESCRIPTION	MATERIAL	FINISH	Q'TY	DRAWING NO.
8	BODY	NOTE 1	NOTE 4	1	
7	FERRULE	H62-1	NOTE 4	1	
6	GASKET			1	
5	RING	BRONZE		1	
4	SHELL	NOTE 1	NOTE 4	1	
3	CONTACT PIN	NOTE 2	NOTE 5	1	
2	INSULATOR	NOTE 3		1	
1	BODY	NOTE 1	NOTE 4	1	

REV	v1	SCALE	5/1	ITEM NO.	<p style="text-align: center;">SHIREEN INC. 12910 Cloverleaf Center Dr Ste 110 Germanatown, MD 20874 USA</p> <p style="text-align: center;">TITLE Type N Male for RFC600</p> <p style="text-align: center;">DRAWING NO.</p> <p style="text-align: center;">PART NO.</p>
WEIGHT(g)	-			CON-4007	
SURFACE(mm ²)	-			APPROVED	
UNLESS OTHERWISE SPECIFIED TOLERANCES TOLERANCES				CHECKED	
1. .* ±0.2 2. .** ±0.1 3. ANGLE ±3° 4 T.I.R 0.1 5. SURFACE ROUGHNESS Ra1.6 6. EDGES C0.15 MAX.				DRAWN	
* MAJOR DIMENSION				DATE	