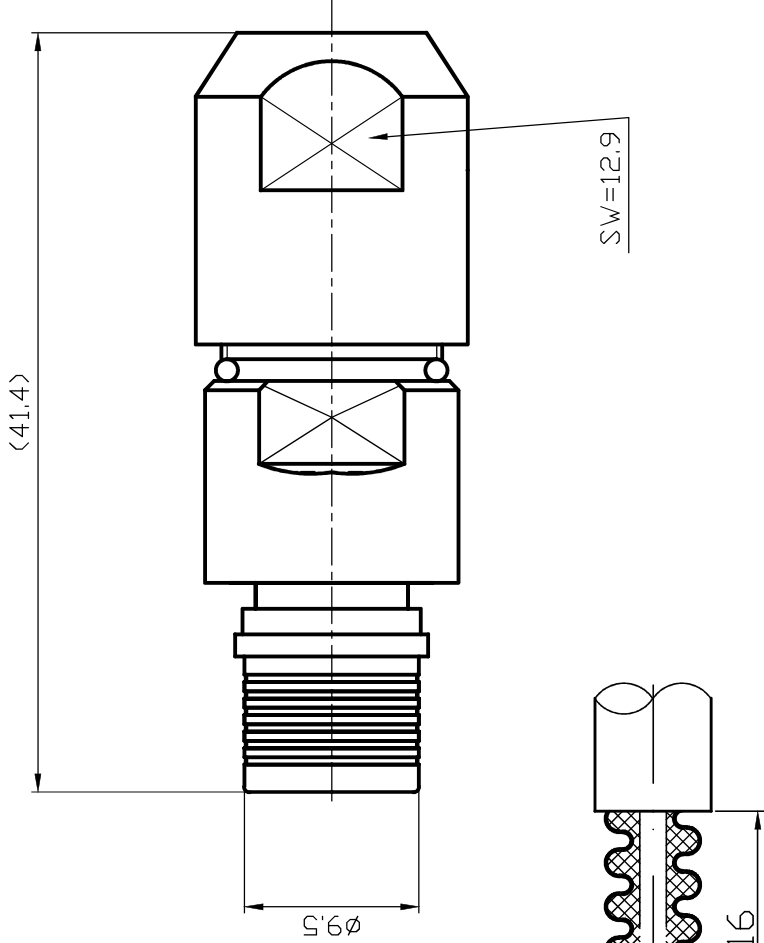


NOTES:

1. MATERIAL AND PLATING
SHELL,BODY=BRASS,TERNARY ALLOY PLATED;
CONTACT=MALE BRASS,SILVER PLATED;
INSULATOR=PTFE;
2. DO NOT SCALE THIS DRAWING.
3. UNLESS OTHERWISE SPECIFIED, ALL DIMENSIONS ARE AFTER PLATING.
4. RoHS COMPLIANT
5. CHARACTERISTIC IMPEDANCE:50Ω
6. FREQUENCY RANGE:0~3GHZ
7. WORKING VOLTAGE:2000VRMS
8. DIELECTRIC WITHSTANDING VOLTAGE:4000VRMS
9. VSWR:1.15MAX
10. INSULATOR RESISTANCE:10000 MEGOHMS MIN



REVISION/D				
DRAWING NO	REV	DESCRIPTION	DATE	APPR
THIRD ANGLE PROJ.				

UNLESS OTHERWISE SPECIFIED, DIMENSIONS ARE IN MM AND TOLERANCES ARE:		MATERIAL	DRAWN	DATE	TITLE	SHIREEN INC. 12910 Cloverleaf Center Dr Ste 110 Germantown, MD 20874 USA	
2 PLACE DESIMAL	3 PLACE DESIMAL	REFERENCE	DRAWN	DATE	QMA MALE FOR 1/4" SUPERFLEX CABLE	SCALE : 2.5: 1	SHEET 1 OF 1
±0.015 (0.381mm)	±0.005(0.127mm)		DRAWN	DATE	CON-2106	DRAWING NO	REV A
	±1°						