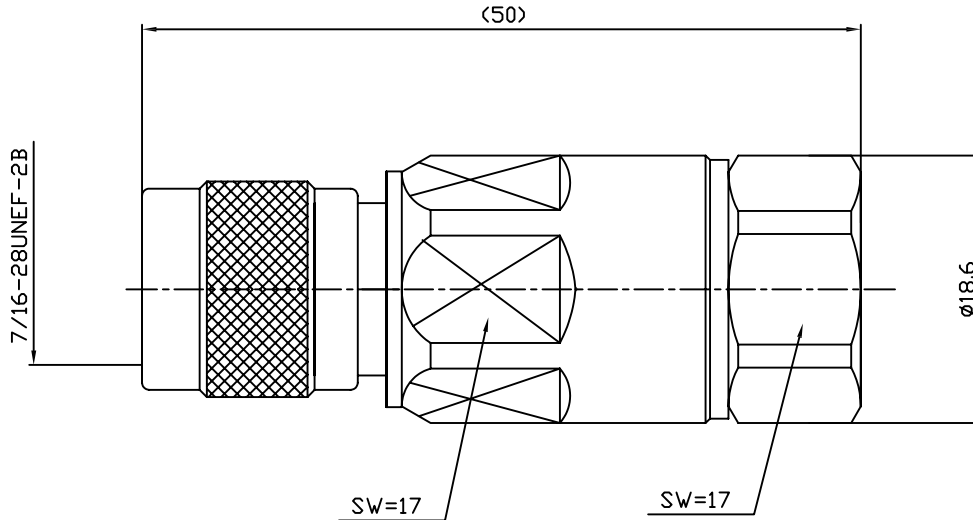


REV	DESCRIPTION	ECN NO.	NAME	DATE

CUSTOMER OUTLINE DRAWING



**MECHANICAL SPECIFICATION**

- Body material Brass
- Center contact material Brass
- Insulator material PTFE
- Body finish Albaloy
- Center contact finish (COPPER-TIN-ZINC) 2um Silver 3um
- Gasket Silicon Rubber

**MECHANICAL CHARACTERISTICS**

- Center contact retention
- Torque 0.1 N.M mini

**ELECTRICAL CHARACTERISTICS**

- Insulation resistance(Mohm) $\geq$ 5000
- withstanding voltage AC(V/min) $\geq$ 2500V
- VSWR $\leq$ 1.15(DC~3GHz)
- IMD 2\*43dBm <-150dBC
- Working temperature: -40~+85°C

All dimensions are after plating.

REV	A	SCALE	2/1
WEIGHT(g)	-		
SURFACE(mm <sup>2</sup> )	-	UNLESS OTHERWISE SPECIFIED TOLERANCES TOLERANCES	
1. * $\pm$ 0.3 2. ** $\pm$ 0.3 3. ANGLE $\pm$ 3' 4. T.I.R 0.1 5. SURFACE ROUGHNESS Ra1.6 6. EDGES CO.15 MAX.			
* MAJOR DIMENSION			

ITEM NO.	CON-3060
APPROVED	
CHECKED	
DRAWN	
DATE	

SHIREEN INC.	
12910 Cloverleaf Center Dr Ste 110 Germantown, MD 20874 USA	
TITLE	TNC Male -1/2" SuperFlex
DRAWING NO.	
PART NO.	