



4.0~5.0 GHz Bi-directional Amplifier

Item # 45010
15 Watt version

Designed for Military band of 4.4GHz, this bidirectional amplifier works from 4.0~5.0GHz band. The unit offers high speed switch circuit to allow high speed data radios.. The peak transmit power of this amplifier is 43dBm.

For OFDM radios, the peak power goes down for better EVM.

Packaged in outdoor watertight housing with power over Coax.

Also available in PCB form to OEM customers.



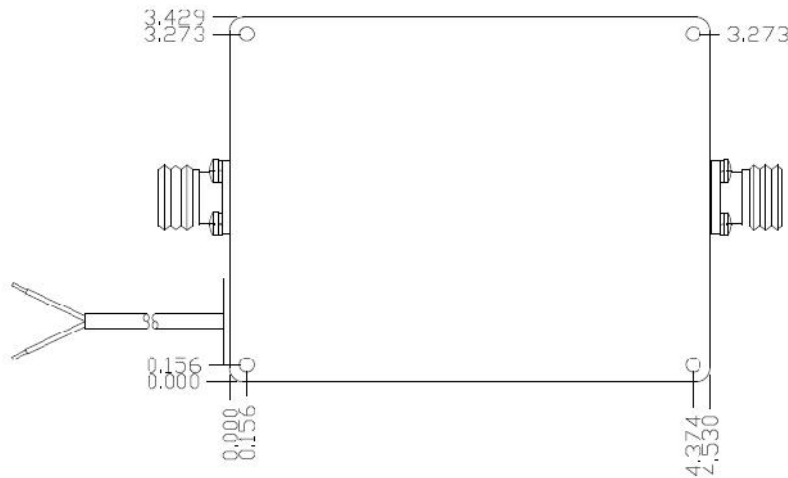
Specifications

Electrical:

Operating Range	4000 - 5000 MHz
Operating Mode	TDD, Time Division duplex,
Transmit PeakPower	43dBm +/- 1
Transmit Gain	21 dB +/- 2
Transmit input Power	3dBm min 20 dBm max
Receive Gain	20~22 dB
Noise Figure	3.5 dB
LED indicators	Red for Receive (Default mode) Green for Transmit
Power Consumption	100mA Rx, 3.1A Tx @ 28 VDC
Operating Temp	-40 °C to + 70 °C

Mechanical:	Outdoor CNC machined Al enclosure:	4.5 x3.5 inch, 1.1" high
	Weight	14 Oz

Powered over Coax via DC injector for outdoor applications or by direct feed for indoor setup.



All amplifier products are entirely made in USA.

