



## 2.4~6.0 GHz Bi-directional Amplifier Item # 58601 5 Watt version

This wide band bidirectional amplifiers works from 2.4GHz thru 6GHz, including Military band of 4.4GHz. The unit offers high speed switch circuit to allow high speed data radios.. The peak transmit power of this amplifier is 37dBm.

For OFDM radios, the peak power goes down for better EVM.

Packaged in outdoor watertight housing with power over Coax.

Also available in PCB form to OEM customers.



### Specifications

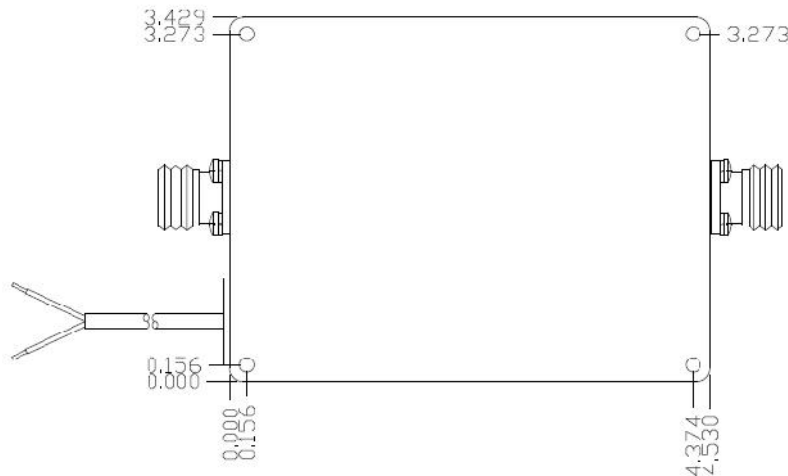
#### Electrical:

|                      |  |
|----------------------|--|
| Operating Range      | 2400 - 6000 MHz                                      |
| Operating Mode       | TDD, Time Division duplex,                           |
| Transmit PeakPower   | 38dBm +/- 1  |
| Transmit Gain        | 16 dB +/- 2 (24dB optional)                          |
| Transmit input Power | 3dBm min 20 dBm max                                  |
| Receive Gain         | 20~22 dB   |
| Noise Figure         | 3.5 dB   |
| LED indicators       | Red for Receive (Default mode)<br>Green for Transmit |
| Power Consumption    | 100mA Rx, 2.0A Tx @ 28 VDC                           |
| Operating Temp       | -40 °C to + 70 °C                                    |

#### Mechanical:

|                                    |                          |
|------------------------------------|--------------------------|
| Outdoor CNC machined Al enclosure: | 4.5 x3.5 inch, 1.1" high |
| Weight                             | 14 Oz                    |

Powered over Coax via DC injector for outdoor applications or by direct feed for indoor setup.



All amplifier products are entirely made in USA.

