

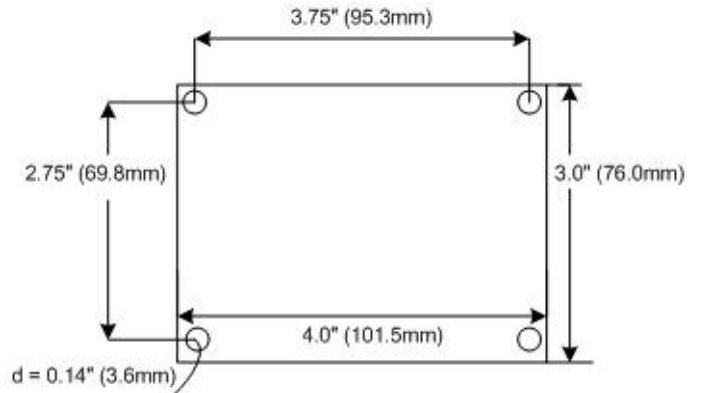


2.4GHz 5 Watt Amplifier OEM Module

Designed for use as an add-on module with existing wireless radio equipment where high power is required. A 5Watt amplifier with 27dB Tx gain and exceptionally linear performance, if used without AGC. The unit is also offered with Automatic Gain control (AGC). The AGC unit maintains full 5 watt output for all inputs between 11dBm and 23dBm. If linear output is required, the unit can be shipped without AGC.

Due to this higher RF output power, the unit is only offered for sale to Military, overseas or licensed customers.

The unit requires proper mounting on metal for heat sinking.



Item # 24503

Specifications

Electrical:

Operating Range	2400 - 2500 MHz
Operating Mode	TDD, Time Division duplex,
Transmit Power	37 dB, 5 Watt
Transmit Gain	27 dB in Linear mode Varies with AGC
Transmit input Power	3 dB min 23 dB max
Receive Gain	20 dB
Noise Figure	1.8 dB
LED indicators	Red for Receive (Default mode) Green for Transmit
Power Consumption	110mA Rx, 1.7A Tx @ 12 VDC
Operating Temp	-40 °C to + 65 °C
Dimension:	3.0" x 4.0"
Weight:	8.0 oz (with metal base plate)

Options:

RF Connectors	SMA female or soldered coax cable
DC Power	Over coax, using DC injector, or Direct feed via soldered wire